

24
VOLT

5-IN-1 DIMMABLE LED DRIVER

TRIAC / PHASE | 0-10V | 1-10V | POTENTIOMETER | 10V PWM

evo-life
ADVANCED LUMINOUS SOLUTIONS

SPECIFICATION SHEET

POWER & CONTROLS // 5-IN-1 DIMMABLE LED DRIVER**SERIES:** PS-5N1-EVO 24V

SPECIFICATIONS SUBJECT TO CHANGE WITHOUT NOTIFICATION

For the latest product updates, specifications, troubleshooting, product handling, installation, and integration advisories, visit www.evo-lite.com.**5-YEAR**
Warranty

IP65

UL LISTED
E520577

CE

ROHS
COMPLIANT

GREENMILE

SPECIFICATIONS

	ITEM #	PS-5N1-1C2496-EVO	PS-5N1-2C24192-EVO	PS-5N1-4C24384-EVO
OUTPUT	DC Voltage	24V Constant Voltage	24V Constant Voltage	24V Constant Voltage
	Rated Current	1x4A	2x4A	4x4A
	Rated Power	1x96W	192W (2 circuits @ 96 watts each)	384W (4 circuits @ 96 watts each)
	Voltage Tolerance	± 0.5V	± 0.5V	± 0.5V
	Voltage Regulation	± 0.5%	± 0.5%	± 0.3%
	Load Regulation	± 1%	± 1%	± 1%
INPUT	Voltage Range	100-277VAC	100-277VAC	100-277VAC
	Frequency Range	47-63Hz	47-63Hz	47-63Hz
	Power Factor (Typ.) @ Full Load	0.98 @ 120VAC / 0.95 @ 277VAC	0.99 @ 120VAC / 0.94 @ 277VAC	0.99 @ 120VAC / 0.99 @ 277VAC
	THD (Typ.) @ Full Load	< 20%	< 20%	< 20%
	Efficiency (Typ.) @ Full Load	83% @ 120VAC / 86% @ 277V AC	87% @ 120VAC / 89% @ 277VAC	88% @ 120VAC / 91% @ 277VAC
	AC Current (Max.)	1.3A @ 100VAC	2.3A @ 100VAC	3.9A @ 100VAC
	Inrush Current (Typ.)	27.6A, 50%, 0.55ms @120VAC; 44.8A, 50%, 0.68ms @277VAC	19A, 50%, 1.3ms @120VAC; 38A, 50%, 0.96ms @277VAC	22.8A, 50%, 0.96ms @120VAC; 38A, 50%, 0.96ms @277VAC
	Leakage Current	< 0.50mA	< 0.50mA	< 0.50mA
PROTECTION	Short Circuit	Shut down o/p voltage, re-power on to recover after fault condition is removed.	Shut down o/p voltage, re-power on to recover after fault condition is removed.	Shut down o/p voltage, re-power on to recover after fault condition is removed.
	Over Loading	≤120% constant current limiting, auto-recovery	≤ 120% Hiccup mode, recovers automatically after fault condition is removed.	≤ 120% Hiccup mode, recovers automatically after fault condition is removed.
	Over Temperature	212°F ± 50°F (100°C ± 10°C) shut down o/p voltage, automatic recover after cooling.	212°F ± 50°F (100°C ± 10°C) shut down o/p voltage, automatic recover after cooling.	212°F ± 50°F (100°C ± 10°C) shut down o/p voltage, automatic recover after cooling.
ENVIRONMENT	Certification	IP65 Rated for wet locations.	IP65 Rated for wet locations.	IP65 Rated for wet locations.
	Working Temperature	-40°F ~ 140°F (-40°C ~ +60°C) (see derating curve)	-40°F ~ 140°F (-40°C ~ +60°C) (see derating curve)	-40°F ~ 140°F (-40°C ~ +60°C) (see derating curve)
	Working Humidity	20 ~ 90% RH, non-condensing	20 ~ 90% RH, non-condensing	20 ~ 90% RH, non-condensing
	Storage Temperature Humidity	-40°F ~ 176°F (-40°C ~ +80°C), 10~95% RH	-40°F ~ 176°F (-40°C ~ +80°C), 10~95% RH	-40°F ~ 176°F (-40°C ~ +80°C), 10~95% RH
	Temperature .Coefficient	±0.03%/°C (32~122°F (0~50°C))	±0.03%/°C (32~122°F (0~50°C))	±0.03%/°C (32~122°F (0~50°C))
	Vibration	10~500Hz, 5G 10min./1 cycle, period for 60min. each along X,Y,Z axes	10~500Hz, 5G 10min./1 cycle, period for 60min. each along X,Y,Z axes	10~500Hz, 5G 10min./1 cycle, period for 60min. each along X,Y,Z axes
SAFETY & EMC	Safety Standards	UL8750 + UL1310	UL8750 + UL1310	UL8750 + UL1310
	Withstand Voltage	I/P-O/P:1.88KVAC	I/P-O/P:1.88KVAC	I/P-O/P:1.88KVAC
	Isolation Resistance	I/P-O/P:100MΩ/500VDC/77°F(25°C)/70%RH	I/P-O/P:100MΩ/500VDC/77°F(25°C)/70%RH	I/P-O/P:100MΩ/500VDC/77°F(25°C)/70%RH
	EMC Emission	FCC 47 CRF Part 15, Subpart B	FCC 47 CFR Part 15, Subpart B	FCC 47 CFR Part 15, Subpart B
OTHERS	NC Carton Packing	1 piece, 3 lbs (1.36 kg)	1 piece, 4.59 lbs (2.08 kg)	1 piece, 6.31 lbs (2.86 kg)
	NC Carton Box Size	10.91" x 3.98" x 1.97" (277x101x50mm)	12.8" x 4.41" x 1.97" (325x112x50mm)	14.37" x 5.63" x 2.28" (365x143x58mm)
	Master Carton Packing	10 pieces, 30.71 lbs (13.93kg)	10 pieces, 46.87 lbs (21.26kg)	5 pieces, 32.41 lbs (14.7kg)
	Master Carton Box Size	11.73" x 10.43" x 8.66" (298x265x220mm)	13.39" x 10.63" x 9.65" (340x270x245mm)	14.96" x 12" x 6.3" (380x305x160mm)

PACKING

Includes one 5-IN-1 Dimmable LED Driver

**A** 5-IN-1
LED DRIVER
24V 96W**B** 5-IN-1
LED DRIVER
24V 192W**C** 5-IN-1
LED DRIVER
24V 384W

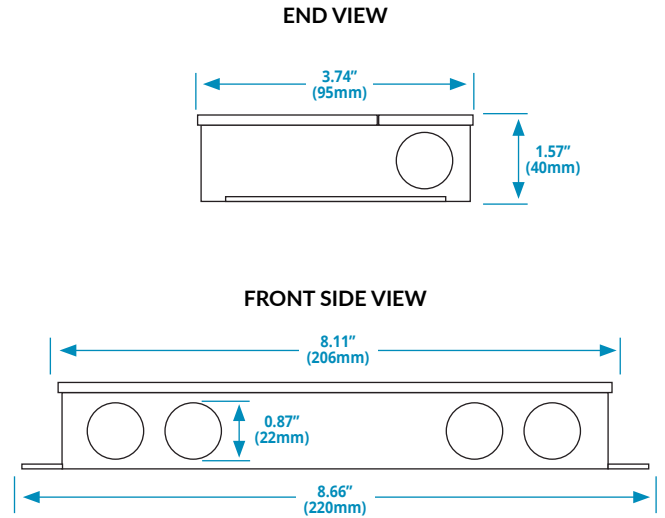
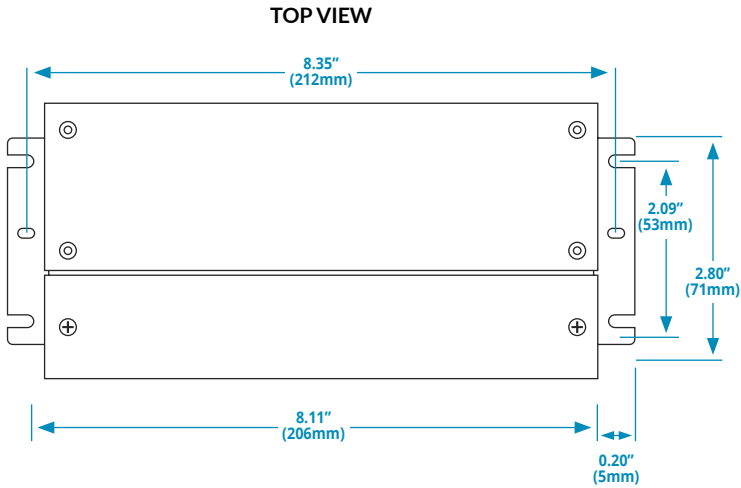
NOTES

- All parameters if NOT specially mentioned are measured at 120V AC input, rated load and 77°F (25°C) of ambient temperature.
- Best practices include allowing headroom for power supply longevity.

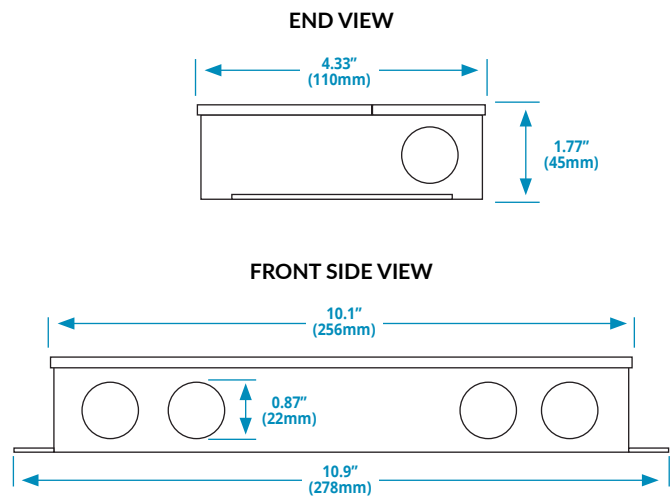
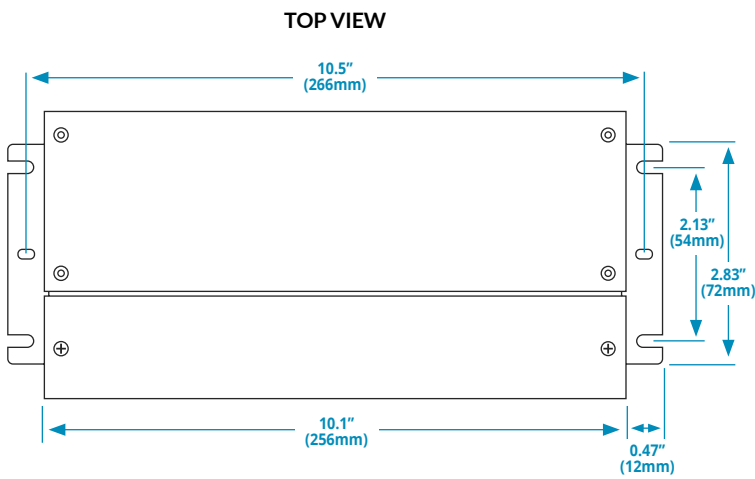
PART	QTY	ITEM #	24V 5-IN-1 DIMMABLE LED DRIVER
A	1	PS-5N1-1C2496-EVO	1x96W, 24V DC Constant Voltage Dimmable LED Driver
B	1	PS-5N1-2C24192-EVO	2x96W, 24V DC Constant Voltage Dimmable LED Driver
C	1	PS-5N1-4C24384-EVO	4x96W, 24V DC Constant Voltage Dimmable LED Driver

evo-life
ADVANCED LUMINOUS SOLUTIONSWWW.EVO-LITE.COM • INFO@EVO-LITE.COM • 1-888-887-2980 • ©EVO-LITE, LLC • 6240 W 54TH AVE., ARVADA, CO 80002 • V3-1823

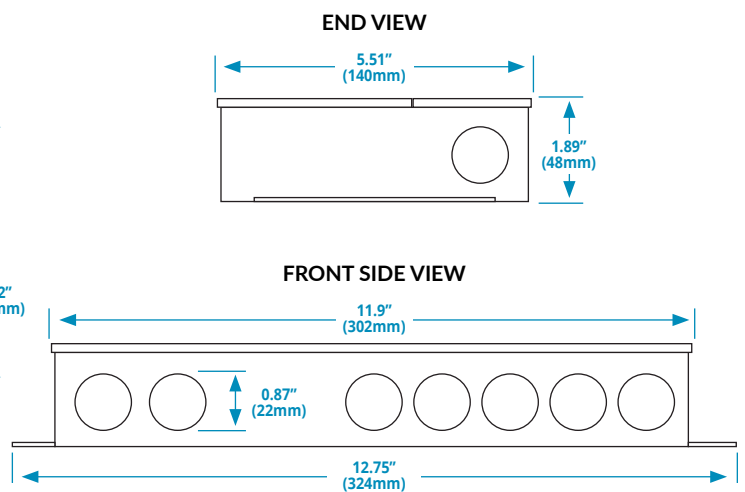
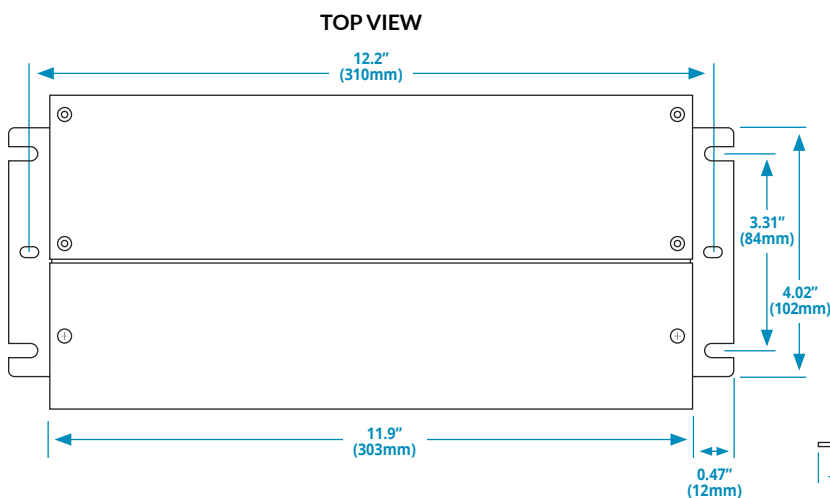
24V 96W (1X96W) | 5-IN-1 DIMMABLE LED DRIVER



24V 192W (2X96W) | 5-IN-1 DIMMABLE LED DRIVER

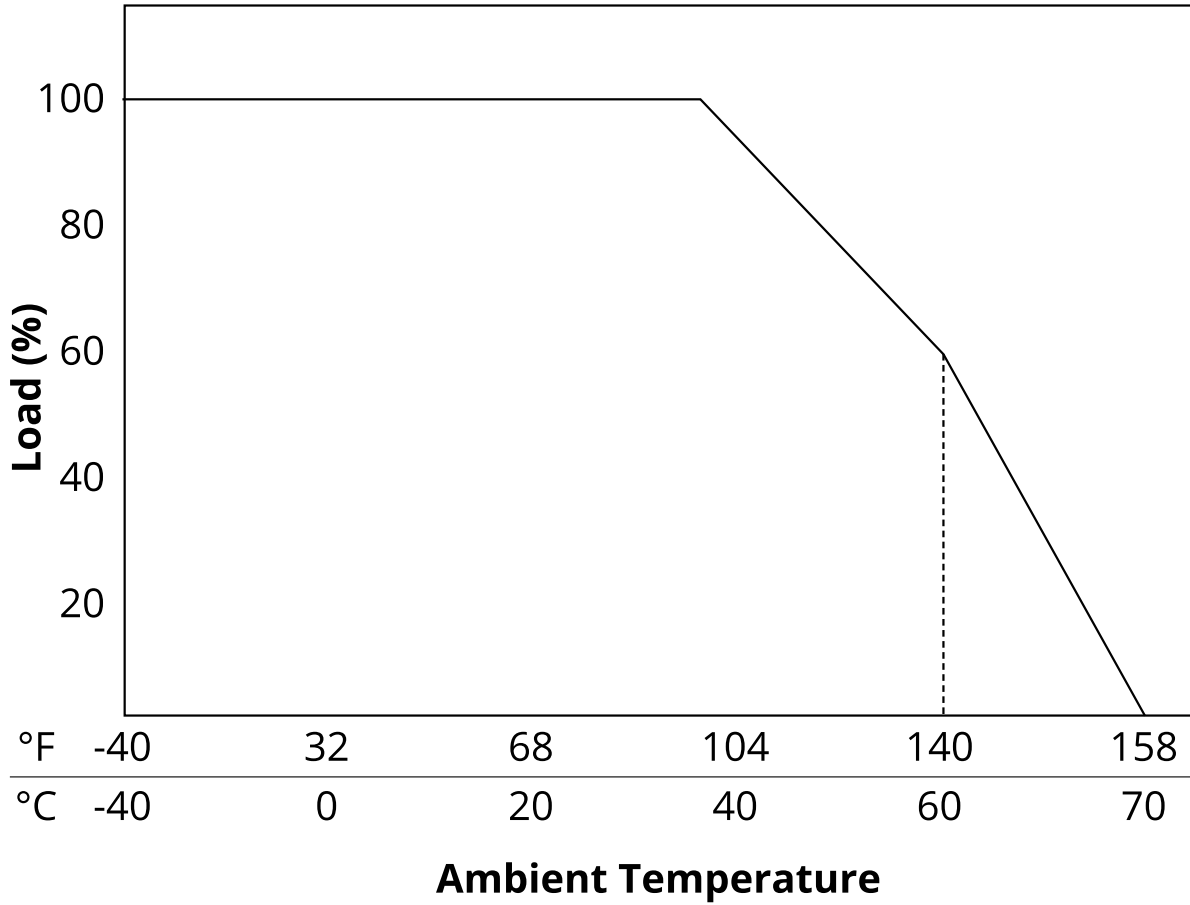


24V 384W (4X96W) | 5-IN-1 DIMMABLE LED DRIVER



DERATING CURVE

To extend life, please refer to the Derating Curve and derate according to the temperature.



WARRANTY

This product comes with an advanced 5-year warranty. Please review section 19 of *Terms & Conditions of Sale* at evo-lite.com/legal-documents#terms

TRIAC / PHASE DIMMER COMPATIBILITY LIST

BRAND	MODEL NUMBER	INPUT VOLTAGE	DIMMING RANGE	PHASE	NOTES
LUTRON	SCL-153PR-WH	100-130V	0-100%	Forward Phase	Dimmer with spin button (adjust minimum dimming 0-30%)
	DVCL-153PR-WH	100-130V	0-100%	Forward Phase	
	DVWCL-153PH-LA	100-130V	0-100%	Forward Phase	
	CTCL-153PDH-LA	100-130V	0-100%	Forward Phase	
	TGCL-153PR-WH	100-130V	0-100%	Forward Phase	
	TGCL-153PH-WH	100-130V	0-100%	Forward Phase	
	MACL-153MH-LA	100-130V	1-100%	Forward Phase	
	MIR-600M	100-130V	1-100%	Forward Phase	
	CT-600PR-IV	100-130V	0-100%	Forward Phase	
	CT-600PR-WH	100-130V	0-100%	Forward Phase	
	CT-103PR-WH	100-130V	0-100%	Forward Phase	
	DV-600PR-BL	100-130V	0-100%	Forward Phase	
	DV-600PR-WH	100-130V	0-100%	Forward Phase	
	TG-600PR-LA	100-130V	0-100%	Forward Phase	
	TG-600PR-IV	100-130V	0-100%	Forward Phase	
	TG-600PR-WH	100-130V	0-100%	Forward Phase	
	TG-10PR-WH	100-130V	0-100%	Forward Phase	
	S-600PR-WH	100-130V	0-100%	Forward Phase	
	MRF2-6ND-120-AL	100-130V	0-100%	Forward Phase	
	MRF2-6CL-GR	100-130V	1-100%	Forward Phase	
	DZ6HD	100-130V	3-100%	Forward Phase	
	PD-6WCL	100-130V	1-100%	Forward Phase	
	SELV-300P	100-130V	1-100%	Reverse Phase	
	MSCELV-600M	100-130V	0-100%	Reverse Phase	
	MEF2-6ELV-120	100-130V	0-100%	Reverse Phase	
	NTLV-600-277-WH	277V	0-100%	Forward Phase	
	ST-12P-277	277V	3-100%	Forward Phase	
	NTF-10-277	277V	0-100%	Forward Phase	
	DVELV-300P-WH	100-130V	1-100%	Reverse Phase	
	LEVITON	VPI06-1LZ	100-130V	1-100%	
TTI06-1LZ		100-130V	1-100%	Forward Phase	
IPL06		100-130V	0-100%	Forward Phase	
DZ6HD		100-130V	1-100%	Forward Phase	
6674		100-130V	1-100%	Forward Phase	
6672		100-130V	1-100%	Forward Phase	
TBL03		100-130V	1-100%	Forward Phase	
6602		100-130V	0-100%	Forward Phase	
6683		100-130V	0-100%	Forward Phase	
AWSMT-EAW		120V	0-100%	Reverse Phase	
AWSMT-EAW	277V	0-100%	Reverse Phase		
LEGRAND	RHCL453PNICCV6	100-130V	1-100%	Forward Phase	
	WSCL450TCCCV4	100-130V	0-100%	Forward Phase	
	LSCL453PLACCV4	100-130V	0-100%	Forward Phase	
CRESTRON	CLW-DELVEP-P-W-S	100-130V	0-100%	Reverse phase	

OTHER DIMMER COMPATIBILITY

Evo-Lite's 5-IN-1 Dimmable LED Driver is compatible with most 0-10V, 1-10V, Potentiometer, and 10V PWM dimmers.